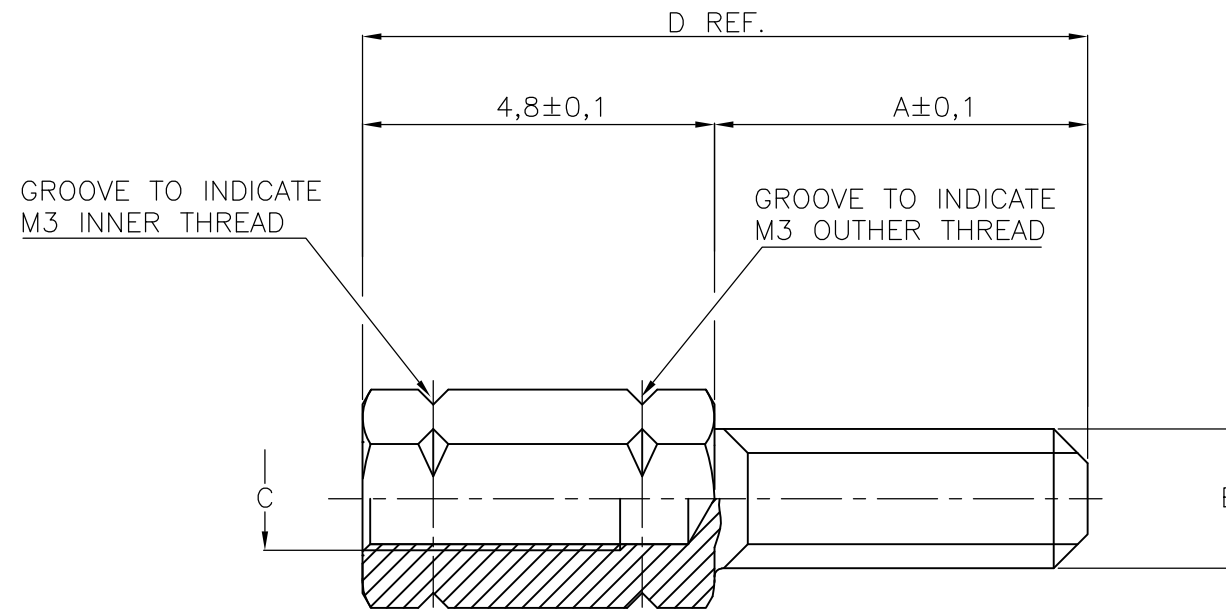
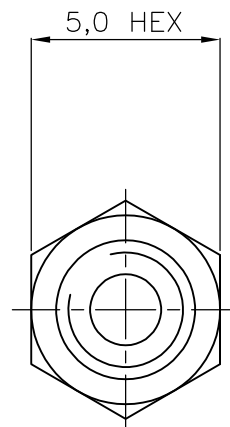


THIS DRAWING IS UNPUBLISHED. RELEASED FOR PUBLICATION
 © COPYRIGHT - By - ALL RIGHTS RESERVED.

LOC	DIST	REVISIONS					
H	-	P	LTR	DESCRIPTION	DATE	DWN	APVD
			J	ECR-09-000314	21-05-09	AEG	KMA
			J1	REVISED PER ECO-09-023313	12OCT09	KK	AEG
			J2	ECR-10-026542	05JAN11	KK	HMR



	DIM "D"	DIM "C"	DIM "B"	DIM "A"	FINISH	MATERIAL	PART NUMBER
1	10,8	4-40 UNC	4-40 UNC	6,0	TINPLATED	BRASS	3-829261-0
1	10,8	M3	4-40 UNC	5,0			2-829261-8
	9,8	4-40 UNC	M3	5,0			2-829261-6
	9,8	M3	M3	5,0			2-829261-4
	9,8	4-40 UNC	4-40 UNC	5,0			2-829261-2
1	19,0	M3	4-40 UNC	14,2			1-829261-8
	19,0	4-40 UNC	M3	14,2			1-829261-6
	19,0	M3	M3	14,2			1-829261-4
	19,0	4-40 UNC	4-40 UNC	14,2			1-829261-2
	12,7	M3	4-40 UNC	7,9			829261-8
	12,7	4-40 UNC	M3	7,9			829261-6
	12,7	M3	M3	7,9			829261-4
	12,7	4-40 UNC	4-40 UNC	7,9	829261-2		

1 OBSOLETE PARTS: OBSOLETE CIS STREAMLINING
 PER D.RENAUD/D.SINISI

THIS DRAWING IS A CONTROLLED DOCUMENT.		DWN D.KESSLER 02APR91	TE Connectivity SCREWLOCK, FEMALE HD-SERIES			
DIMENSIONS: mm		CHK C.V.TILBURG 23APR91				
TOLERANCES UNLESS OTHERWISE SPECIFIED:		APVD L.V.SOEST 25APR91				
0 PLC ± - 1 PLC ± 0,2 2 PLC ± - 3 PLC ± - 4 PLC ± - ANGLES ±		NAME				
MATERIAL		PRODUCT SPEC	SIZE	CAGE CODE	DRAWING NO	RESTRICTED TO
FINISH		APPLICATION SPEC	A3	00779	C-829261	-
		WEIGHT	CUSTOMER DRAWING		SCALE	SHEET
					NTS	1 OF 1
						REV J2